

350mA High Power Infrared LED

Features:

High power and Low Cost : More competitive advantages in the LED industry
Special body frame: Excellent transitting heat from LED chip operating under 350mA

Operating Current : 350mA .
Light Sourcing Module for 0.7W/0.6W

Applications:

Free air transmission system/optoelectronic switch
Charge Coupled Device/Infrared applied system/smoke detector
Light source for remote control devices



Absolute Maximum Ratings Ta = 25°C

Parameter	EP20XX-350IRX	Units
DC Forward Current	350	mA
Pulse Forward Current	1000	mA
Power Dissipation	700/600	mW
Dark Current (VR=5V)	10	uA
Operating Temperature Range	-40 to 100C	°C
Storage Temperature Range	-40 to 100	°C
Soldering Temperature	235	°C
Thermal Resistance Rθ(°C/W)	85	°C/W
LED Junction Temperature	110	°C

Operating conditions:

1.IR1/IR4 Pluse width =0.1msec,duty cycle= 1 % .

2.500mw(IR1)/550mw(IR4) : 6 pins of High-Power LED required soldering on PCB.

(PCB : 25.4 mm * 25.4 mm 1.6 t / two layers / 2.0 oz .)

3.Convective IR Reflow Soldering

350mA High Power Infrared LED

Electrical Characteristics

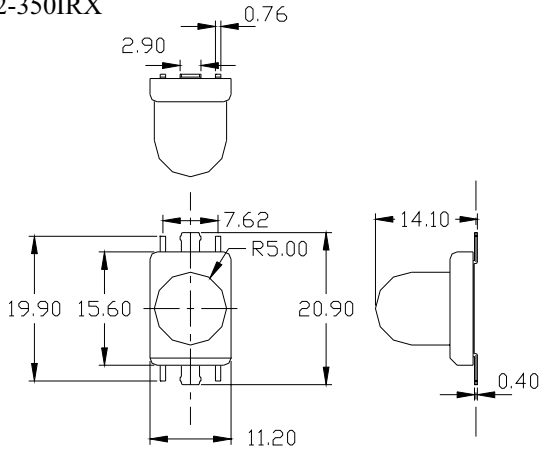
Ta=25°C If=350mA

Device Type	Forward Voltage V _F (Volts)	Dark Current V _R =5V I _R =(uA)	Radiant Intensity I _e (mW/sr)	Radiant Power Φ _e (mW)	Peak Wavelength λ _P (nm)	Δλ _{1/2} (nm)	Viewing Angle 2θ _{1/2} (Degree)
P/N	Typ. Max	Max	Min. Typ.	Typ.	Typ.	Typ.	Typ.
EP2012-350IR1-T	1.6 1.8	10	240 340	60	940	50	10°
EP2034-350IR1-T	1.6 1.8	10	215 285	60	940	50	20°
EP2016-350IR1-T	1.6 1.8	10	160 210	60	940	50	30°
EP2036-350IR1	1.6 1.8	10	155 205	60	940	50	30°
EP2036-350IR1-T	1.6 1.8	10	150 200	60	940	50	30°
EP201C-350IR1-T	1.6 1.8	10	45 60	60	940	50	60°
EP204K-350IR1	1.6 1.8	10	30 40	60	940	50	100°
EP2012-350IR4-T	1.7 2.0	10	720 850	100	850	50	10°
EP2034-350IR4-T	1.7 2.0	10	410 510	100	850	50	20°
EP2016-350IR4-T	1.7 2.0	10	300 360	100	850	50	30°
EP2036-350IR4	1.7 2.0	10	290 350	100	850	50	30°
EP2036-350IR4-T	1.7 2.0	10	285 345	100	850	50	30°
EP201C-350IR4-T	1.7 2.0	10	90 110	100	850	50	60°
EP204K-350IR4	1.7 2.0	10	85 100	100	850	50	100°

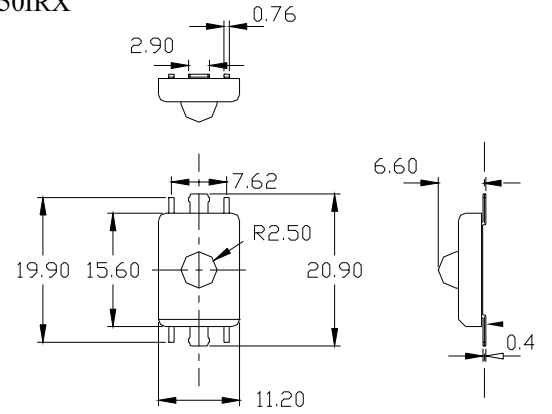
350mA High Power Infrared LED

Outline Drawings

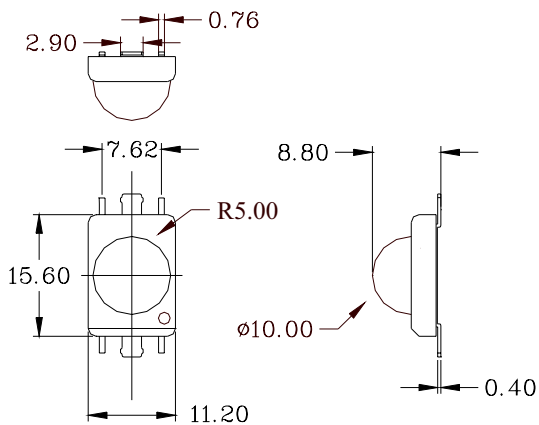
EP2012-350IRX



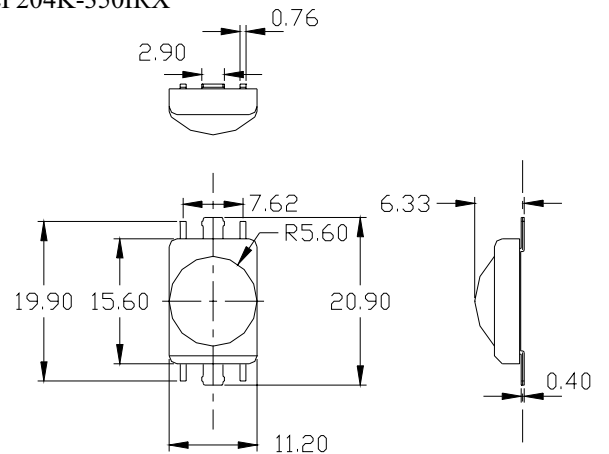
EP2036-350IRX



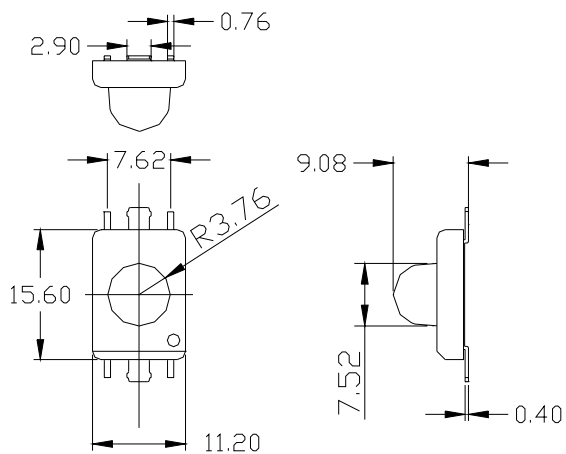
EP201C-350IRX



EP204K-350IRX



EP2016-350IRX



EP2034K-350IRX

